

This product should only be fitted by a qualified plumber to NVQ (National Vocational Qualification) or SNVQ (Scottish National Vocational Qualification) Level 3. Should the installation be completed by a non-qualified person then the guarantee may be considered invalid.

For a claim made under our warranty written certification of your installers credentials can be required. For further information or to find a qualified installer in your area please visit the Institute of Plumbers website - [www.iphe.org.uk](http://www.iphe.org.uk)

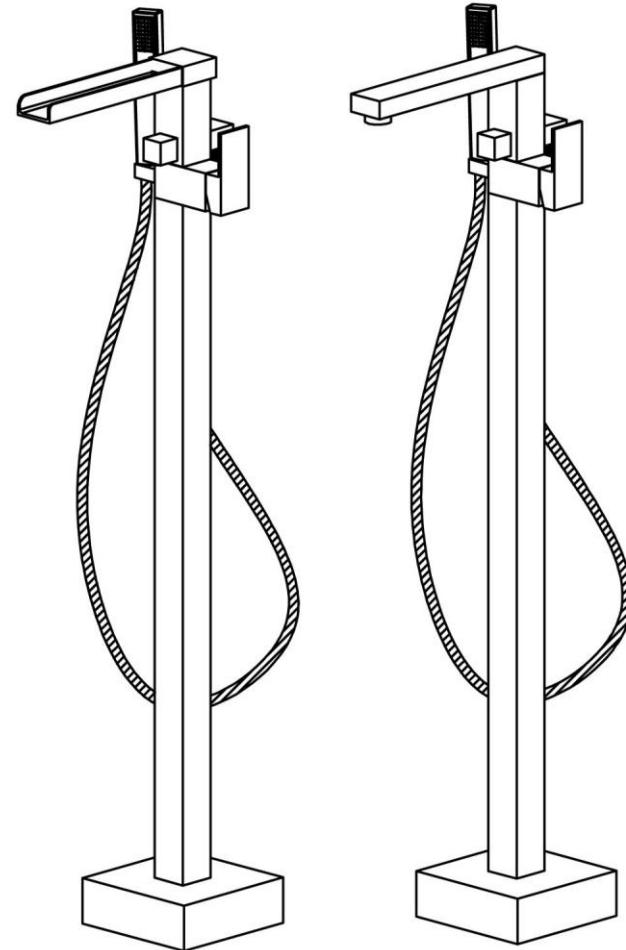
## THE QUALIFICATIONS

At present, to be a plumber you need to follow the National Vocational Qualification (NVQ) route (Scottish National Vocational Qualification - SNVQ - in Scotland). These qualifications are made up of theory and practical work in the classroom/purpose built training facility and work based experience with a working plumber. Colleges should help students find a work placement, although many students organise it themselves.

The S/NVQ qualification works in levels. All recently qualified plumbers should hold S/NVQ Level 2 as basic with Level 3 as the preferred level. Level 2 will give you the foundation you need for a career in plumbing and teach you domestic plumbing to a satisfactory level. Level 3 is more comprehensive and deals with domestic, commercial and industrial plumbing along with aspects such as gas - if you want to one day set up your own business, this is the level to reach. The Institute of Plumbing and Heating Engineering, and the industry as a whole recommends that all plumbers reach a minimum of Level 3.

Reaching Level 3 has other advantages. The Institute runs a Master Plumber Certificate, which only those attaining Level 3 or equivalent can reach as long as they have the relevant experience as well. Those with S/NVQ Level 3 can (once in membership with the Institute for five years as a Member MIPHE) gain Engineering Technician EngTech status with the Engineering Council (UK).

## Floor Standing Bath Shower Mixer With Kit



## INSTALLATION INSTRUCTIONS

## INSTRUCTION

Please read these instructions carefully and keep in a safe place for further reference.

### General Installation Requirement

The installation must comply with regulations of the Local Water Authority as contained in their bylaws. All of the taps in this range are single flow (the hot and cold water mix in the body) and therefore should be supplied with hot and cold water at balanced pressures. If the taps are not supplied balanced pressures then the mixer will not function correctly. It will also be necessary to fit non-return valves on both the hot and cold feeds. It is very important that all pipework is flushed thoroughly after installation to avoid damaging the ceramic discs.

### Minimum/Maximum working pressure

These taps are suitable for high pressure installations. They are fitted with a ceramic disc headwork which provides a smooth movement. The minimum work pressure is 1bar. The maximum work pressure is 5bar. If the mains pressure is over 5bar, a pressure reducing valve should be fitted.

### Approvals

All taps are manufactured using materials tested and approved under the Water Bylaws Scheme and comply with requirements of European standard EN817 where applicable.

### Preparations and bylaw requirements

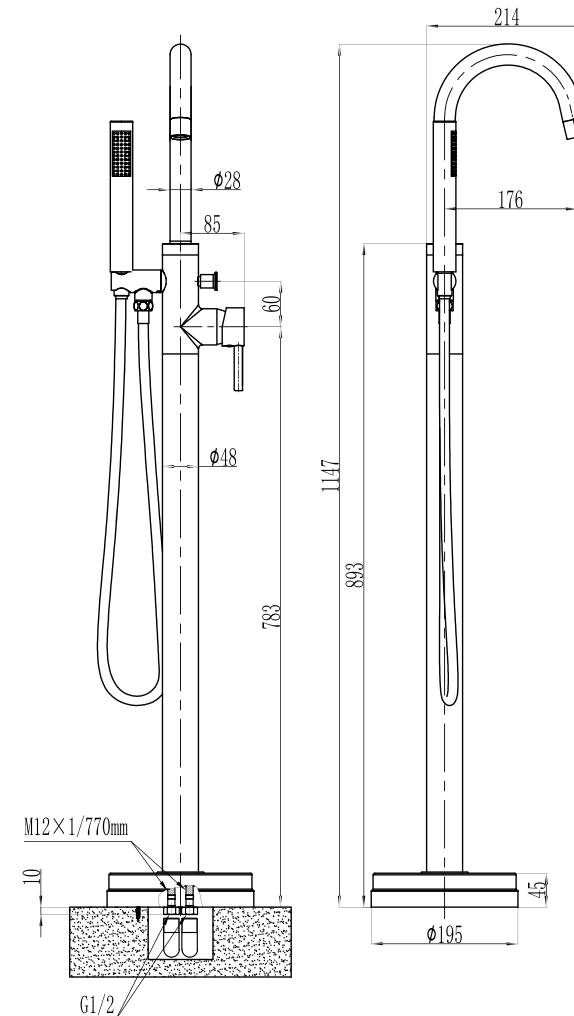
These taps are single flow so the hot and cold water mix in the body. Water Bylaws require that where hot water is supplied from tank and cold from mains, non return valves are fitted on both hot and cold pipes as close as possible to the tap. These are not supplied. Where combination boilers are fitted, it is only necessary to shut off the incoming mains and turn the boiler off and non return valves are not required.

### Warning

**Before installing the new mixer, it is essential that you thoroughly flush through the supply pipes in order to remove any remaining swarf, solder or other impurities. Failure to carry out this simple procedure could cause problems or damage to the working of the mixer.**

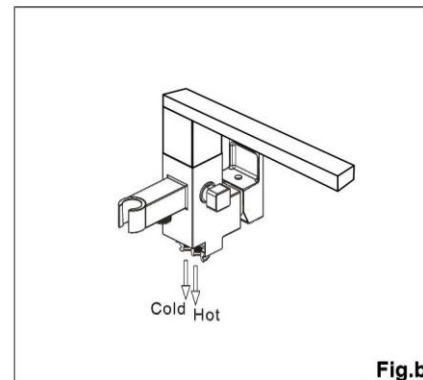
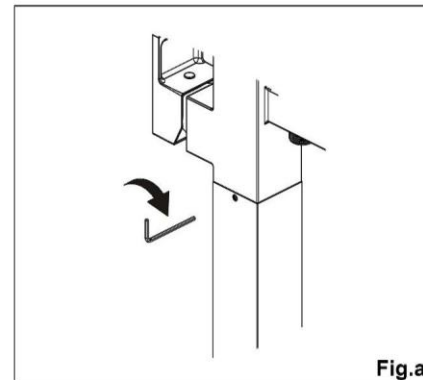
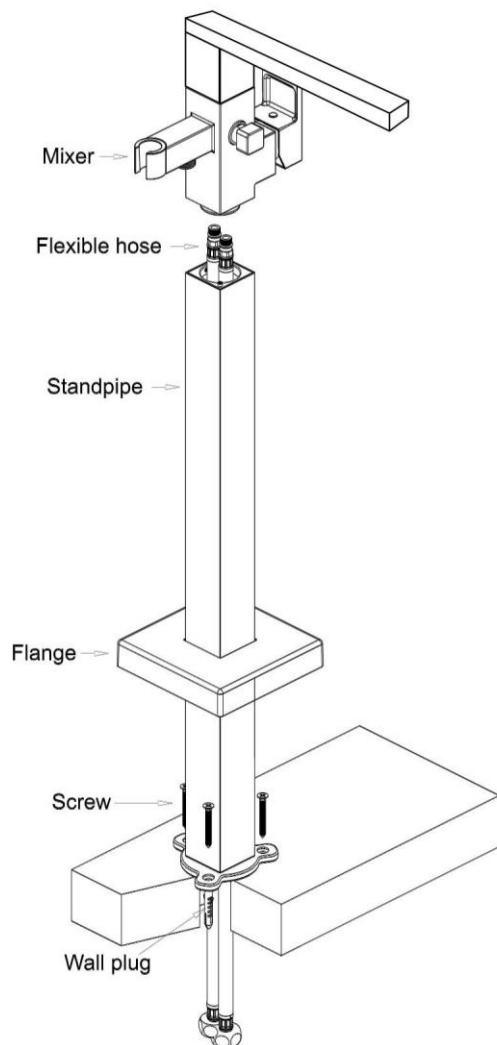
These hints are prepared in your guidance; you must exercise due care at all times. We do not accept responsibility for any problems that may occur through incorrect installation.

## DIMENSIONS



**NOTE: ALL DIMENSIONS IN MILLIMETRES**

## INSTALLATION



## INSTALLATION

First shut off your water heating system, then with your mains stop cock closed, open the lowest cold and hot taps in the house and allow to run until the cold storage tank and pipes are empty (the hot storage cylinder always remains full).

Fitting isolating valve to inlet feeds is recommended for ease of maintenance.

### INSTALLATION

**Note: Remember to turn off mains water supply before connecting to any existing pipe work.**

Drill a hole min 57mm diameter -max 65mm diameter in the floor.

Place the flange over the standpipe and then place it to the base.

Put flexible hoses up through the standpipe and then attach the flexible hoses to the mixer, **please note not to reverse the cold and hot supply, see <fig. b> for reference.**

Place the mixer on the standpipe and then secure it by tightening the grub screw at the back, see <fig. a> for reference.

Locate the assembly on the desired location with the flexible hoses through the prepared hole and then holding the flange, secure the standpipe.

**NOTE:** If mounting into wooden floor, secure the standpipe using screws only (wall plugs are not needed). If mounting into solid floor, drill suitable sized holes for wall plugs first, then insert wall plugs in the floor and finally secure the standpipe using screws. Where required ensure correct plugs for your floor type are used.

Connect the flexible hoses to water supplies.

### ATTENTION

Having first checked all new connections, turn on the mains stop cock, close all taps except the new mixer and as system starts to refill, check for leaks.

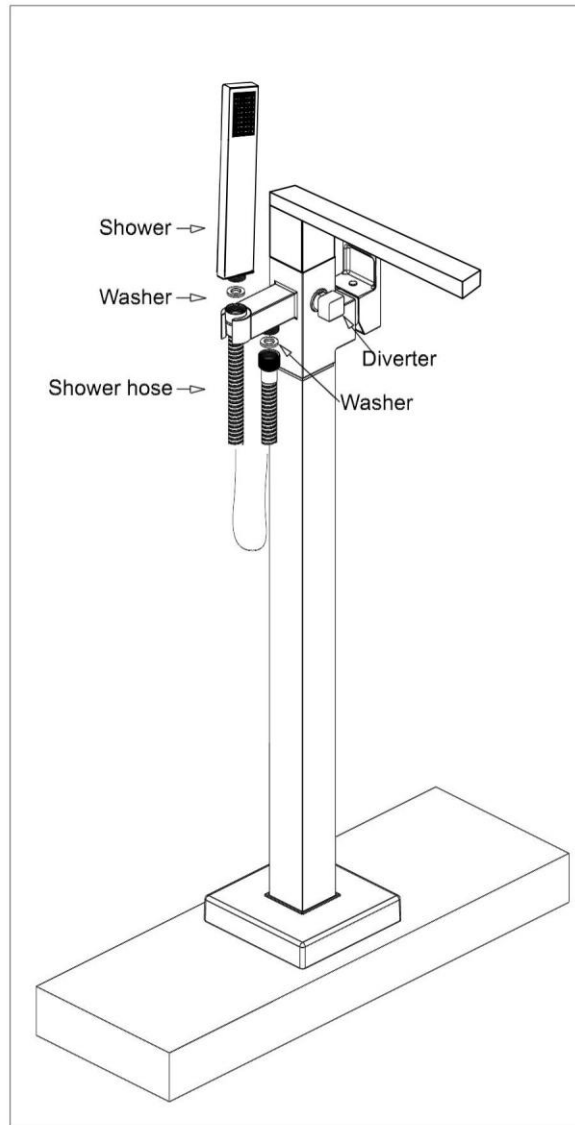
Once you have satisfied yourself that there are no leaks, switch on the water heating.

## INSTALLATION

Insert a washer into each end of the shower hose and then screw it to the shower and mixer.

### Operations

Pull out diverter to operate the shower and it can be locked by turning an angle.



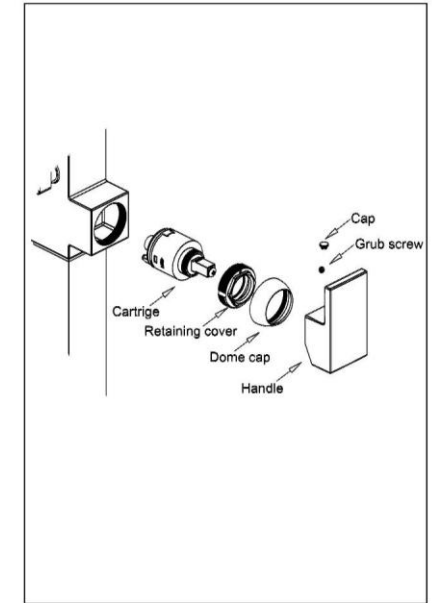
## MAINTENANCE

### Cleaning the cartridge

The concealed cartridge should give trouble free service, but in the event of any problem, service is straight forward.

### To remove the cartridge

Pull off the cap and then use a suitable hex key (not supplied) to loosen the grub screw, but do not remove it. Pull off the handle and unscrew the dome cap. Remove the retaining cover using an adjustable spanner (not supplied). Take the cartridge out and wash it with clean running water. Make sure any trapped debris has been removed. Dry and lightly grease the seal (bottom of cartridge, only use silicone grease). Refit the cartridge followed by the retaining cover, dome cap and handle.



## CLEANING

The finish on the plating we use on our taps is very durable, nevertheless care should be taken when cleaning. It should be cleaned only with warm soapy water followed by rinsing with clean water and drying with a soft cloth. All finishes are vulnerable to acid attack and some strong substances such as household cleaners, disinfectants, denture cleaners, hair dyes, wine making and photographic chemicals can cause surface to go black or peel.

# Maintenance/ Care and Cleaning Instruction

## **Maintenance and Cleaning Instructions**

The finishes of our products are durable. To keep our products in good condition, the end users are required to regularly maintain and clean all the surfaces based on the following guidelines:

- Warm water or mild soapy water should be used to remove system debris and limescale.
- After cleaning, all soapy water should be removed by water and polished with a clean, soft and dry cloth.
- No abrasive cleaning agents or materials should be used.
- No corrosive cleaning agents should be used, which will cause corrosion.
- More care should be taken in hard-water areas to ensure all the surfaces are regularly cleaned.
- Failure to do so will invalidate the product warranty.

## **Care Instructions**

Please be careful when installing, using, cleaning and maintaining this product. Any defects or damages like peeling problem at this product due to the following reasons is not covered by the product warranty:

- incorrect installation.
- accidental or wilful misuse.
- inappropriate cleaning products.
- inadequate maintenance.
- chemical damage caused by system debris and build-up of limescale (any soapy water left on the surface of the product and not cleaned regular will affect the finish of the product.)
- physical damages like scratches.
- damage caused during repair work.
- water quality i.e. rusting water from the pipework need to be fully flushed out after use or water pressure issues.